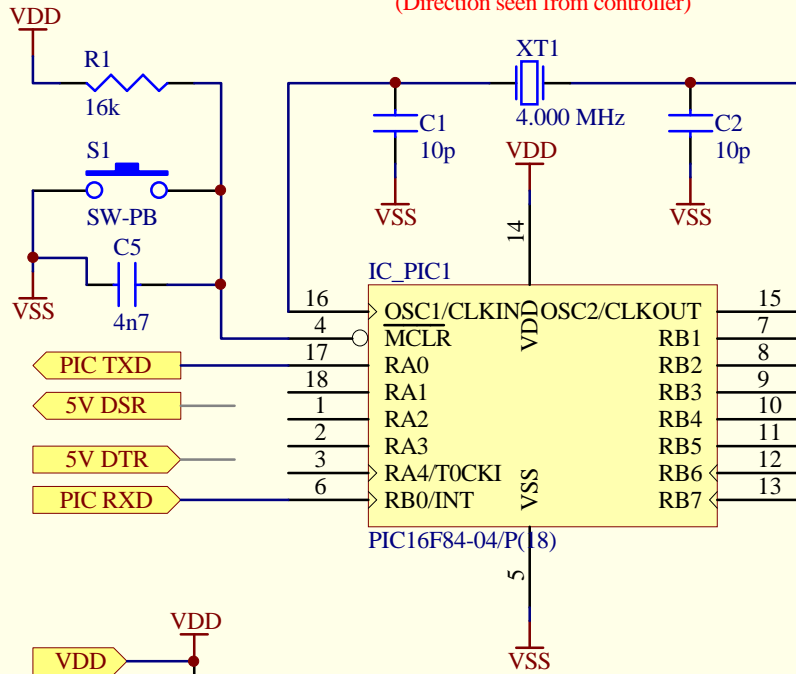


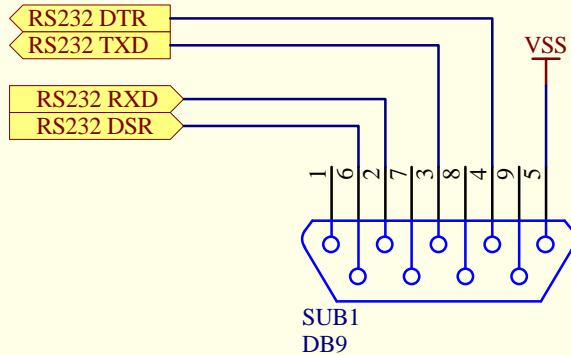
PIC16F84

(Direction seen from controller)

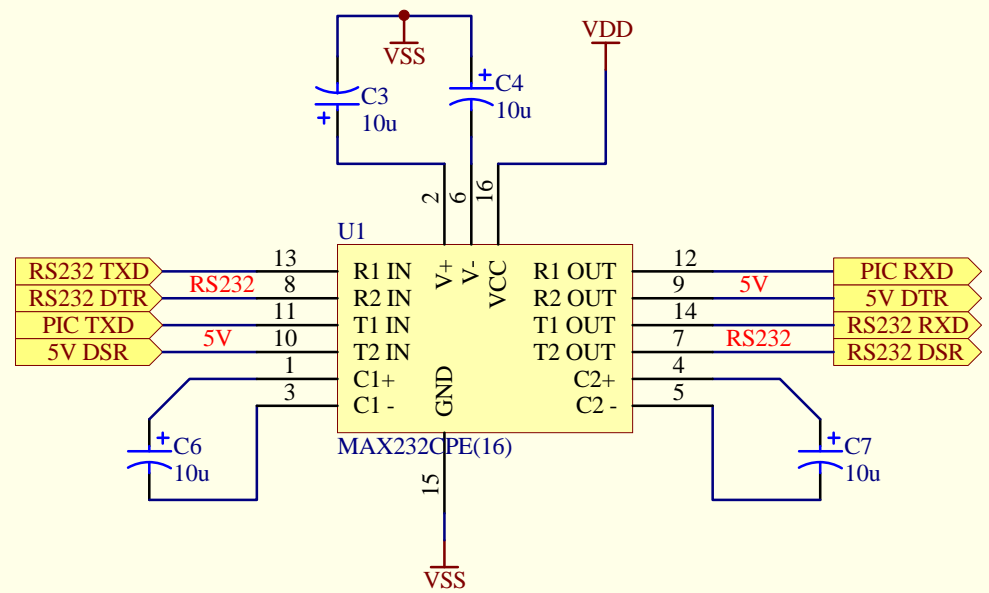


RS232

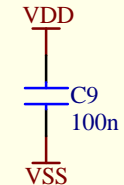
(Direction seen from host)



MAX232



DSR and DTR signals are not used in my RS232 routines, but are drawn for completion. These signals are necessary for hardware handshaking, whilst my routines perform no handshaking. The MAX232 has two output and two input channels, specified to transmit up to 120 kbps depending on the type used.



Title		PIC-RS232 Interface using MAX232	
Written by		Peter Luethi Dietikon, Switzerland	
Date	20-Aug-2003		
Revision	1.01	Page	1 of 1